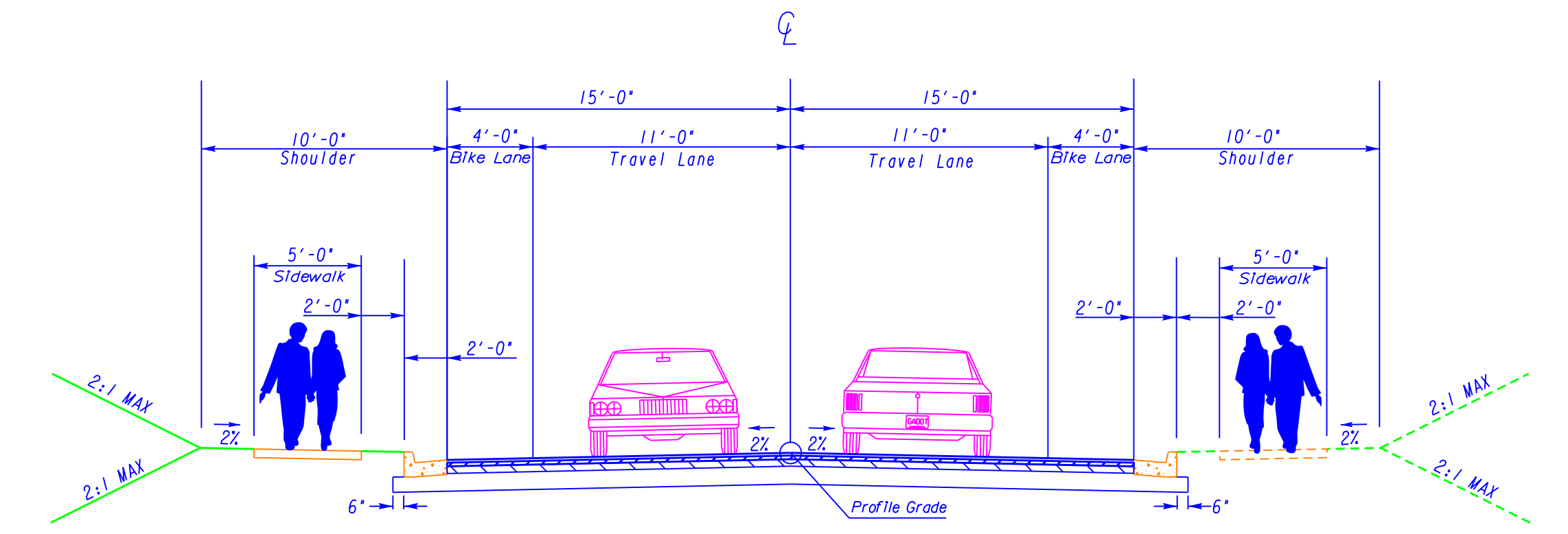




TILLY MILL ROAD CONCEPT A:
BICYCLE LANES WITH OPTIONAL SIDEWALK

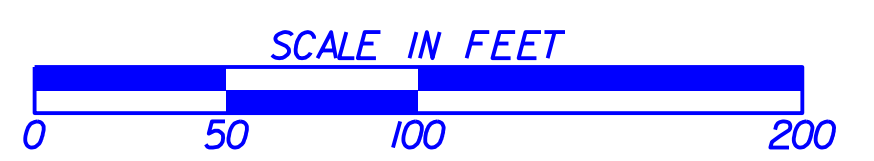


TILLY MILL ROAD

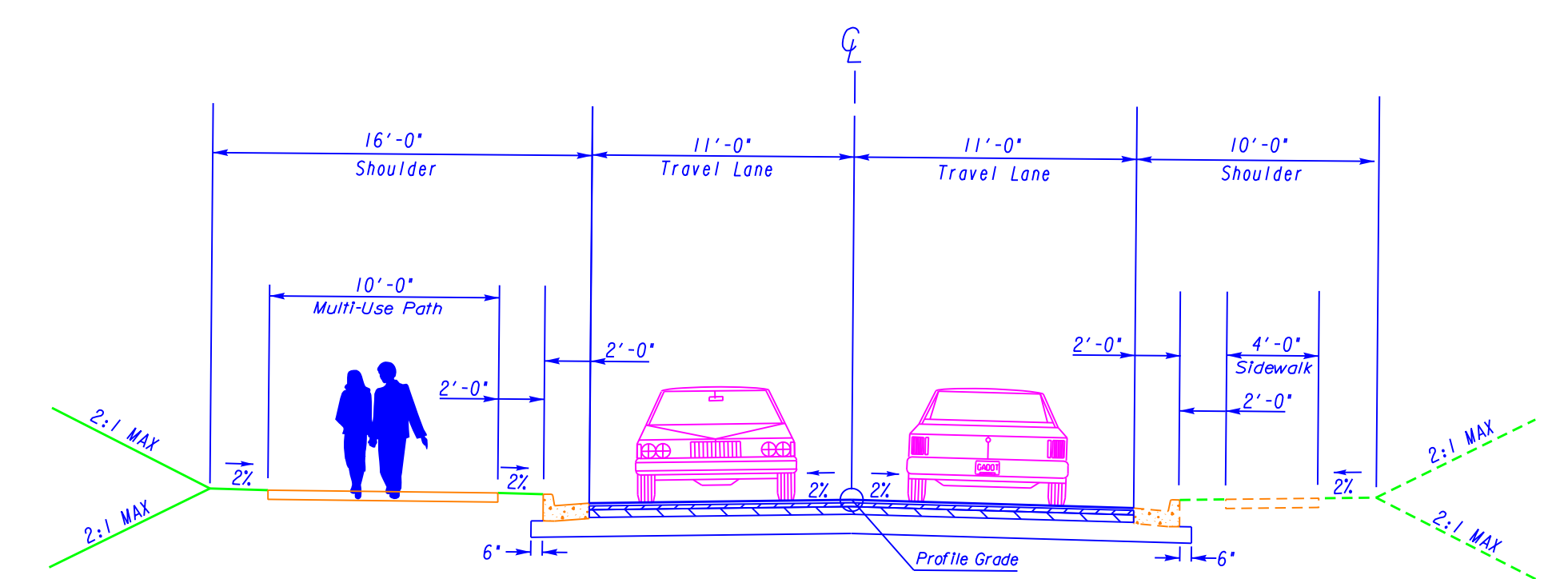


	PROPOSED RIGHT-OF-WAY
	EXISTING RIGHT-OF-WAY
	TEMPORARY EASEMENT
	PROPOSED FILL LIMITS
	PROPOSED CUT LIMITS
	PROPOSED EDGE OF PAVEMENT
	PROPOSED WALL
	PROPOSED SIDEWALK
	UTILITY POLE

LEGEND



TILLY MILL ROAD CONCEPT B:
OPTIONAL MULTI-USE PATH



TILLY MILL ROAD